

MYd

MCd MLd SERIES

系列单相铝壳电机 (新型)
SINGLE PHASE TEFC ALUMINUM
INDUCTION MOTORS
(NEW DESIGN 2012)



MY, MC, ML后的小写字母“d”,代表着产品的更新换代。MYd,MCd,MLd系列电机是万德第四代单相电机,特点:低噪音,低振动,高效率,电压范围广,外观新颖。防护等级IP55,F级绝缘。安装方式参照IEC标准。
MLd是双电容系列
MCd是电容启动系列
MYd是电容运转系列
所有新单相电机都带电子离心开关,MLd和MCd适合应用于高启动转矩的设备,如空压机。MYd系列主要适合应用于低启动转矩设备,如风机和水泵。



INTERNATIONAL STANDARD TECHNICAL SPECIFICATIONS(230±10% 50Hz)

MYd 技术数据 TECHNICAL SPECIFICATIONS

Motor Type	Rated Power kW	HP	Rated speed (r/min)	Torque (N.m)	Full Load η %	Power Factor cos φ	Current (A)	Locked Current/ Rated Current (IA/IN)	Locked Torque /Rated Torque (MA/MN)	Maximum Torque /Rated Torque (Mk/MN)
MYd7112	0.37	0.5	2780	1.3	58	0.9	3.08	3.1	0.8	1.9
MYd7122	0.55	0.75	2740	1.9	70	0.9	3.8	3.5	0.7	1.7
MYd8012	0.75	1	2800	2.6	65	0.95	5.3	4.1	0.6	2
MYd8022	1.1	1.5	2730	3.8	74	0.97	6.4	3.6	0.5	1.6
MYd90S2	1.5	2	2835	5.1	74	0.91	9.7	4	0.5	2.1
MYd90L2	2.2	3	2770	7.6	74	0.91	14.2	4.5	0.27	1.8
MYd100L2	2.2	3	2795	7.5	75	0.98	13	4.4	0.43	1.5
MYd7114	0.25	0.33	1270	1.9	53	0.9	2.3	2.4	0.7	1.5
MYd7124	0.37	0.5	1370	2.6	62	0.89	2.9	2.9	0.8	1.3
MYd8014	0.55	0.75	1390	3.8	67	0.89	4	3.2	0.5	1.9
MYd8024	0.75	1	1445	5	73	0.9	4.9	4.5	0.32	1.8
MYd90S4	1.1	1.5	1415	7.4	71	0.93	7.2	3.6	0.5	1.5
MYd90L4	1.5	2	1430	10	78	0.94	9	4.3	0.5	1.7
MYd100L4	2.2	3	1450	14.5	80	0.97	12.3	4.6	0.4	1.7

MLd 技术数据 TECHNICAL SPECIFICATIONS

Motor Type	Rated Power kW	HP	Rated speed (r/min)	Torque (N.m)	Full Load η %	Power Factor cos φ	Current (A)	Locked Current/ Rated Current (IA/IN)	Locked Torque /Rated Torque (MA/MN)	Maximum Torque /Rated Torque (Mk/MN)
MLd7112	0.37	0.5	2780	1.3	58	0.9	3	3.2	2.5	1.9
MLd7122	0.55	0.75	2740	1.9	69	0.89	3.9	3.5	1.9	1.7
MLd8012	0.75	1	2800	2.6	65	0.95	5.3	5.3	2.9	2
MLd8022	1.1	1.5	2730	3.8	74	0.97	6.7	4.2	2.9	1.6
MLd90S2	1.5	2	2835	5.1	74	0.9	9.8	5.1	2.5	2.1
MLd90L2	2.2	3	2770	7.6	74	0.9	14.4	4	1.8	1.8
MLd100L2	2.2	3	2795	7.5	75	0.98	13	4.3	1.8	1.8
MLd7114	0.25	0.33	1270	1.9	53	0.9	2.3	2.4	3	1.5
MLd7124	0.37	0.5	1370	2.6	62	0.88	2.9	2.9	2.5	1.3
MLd8014	0.55	0.75	1390	3.8	67	0.88	4	3.3	2.3	1.8
MLd8024	0.75	1	1445	5	74	0.9	4.8	5.4	2.4	2
MLd90S4	1.1	1.5	1415	7.4	71	0.98	6.9	4.8	2	1.5
MLd90L4	1.5	2	1430	10	79	0.95	8.7	4.7	1.8	1.7
MLd100L4	2.2	3	1450	14.5	81	0.97	12.1	4.6	1	1.7

NATIONAL STANDARD TECHNICAL SPECIFICATIONS (230V±10% 50Hz)

MYd 技术数据 TECHNICAL SPECIFICATIONS

Motor Type	Rated Power kW	HP	Rated speed (r/min)	Torque (N.m)	Full load η %	Power Factor cos φ	Current (A)	Locked Current/ Rated Current (IA/IN)	Locked Torque /Rated Torque (MA/MN)	Maximum Torque /Rated Torque (Mk/MN)
MYd7112	0.37	0.5	2750	1.31	67	0.92	2.6	3.9	0.35	1.7
MYd7122	0.55	0.75	2760	1.94	70	0.92	3.7	4.1	0.35	1.7
MYd8012	0.75	1	2780	2.63	72	0.92	5	4	0.33	1.7
MYd8022	1.1	1.5	2790	3.84	75	0.95	6.7	4.4	0.33	1.7
MYd90S2	1.5	2	2800	5.22	76	0.95	9	5	0.3	1.7
MYd90L2	2.2	3	2800	7.66	77	0.95	13	5	0.3	1.7
MYd7114	0.25	0.33	1370	1.78	61	0.92	1.93	3.6	0.35	1.7
MYd7124	0.37	0.5	1370	2.63	62	0.92	2.8	3.5	0.35	1.7
MYd8014	0.55	0.75	1380	3.88	64	0.92	4	3.75	0.35	1.7
MYd8024	0.75	1	1380	5.3	68	0.92	5.2	3.9	0.32	1.7
MYd90S4	1.1	1.5	1390	7.71	71	0.95	7	4.65	0.32	1.7
MYd90L4	1.5	2	1400	10.4	73	0.95	9.4	4.8	0.3	1.7

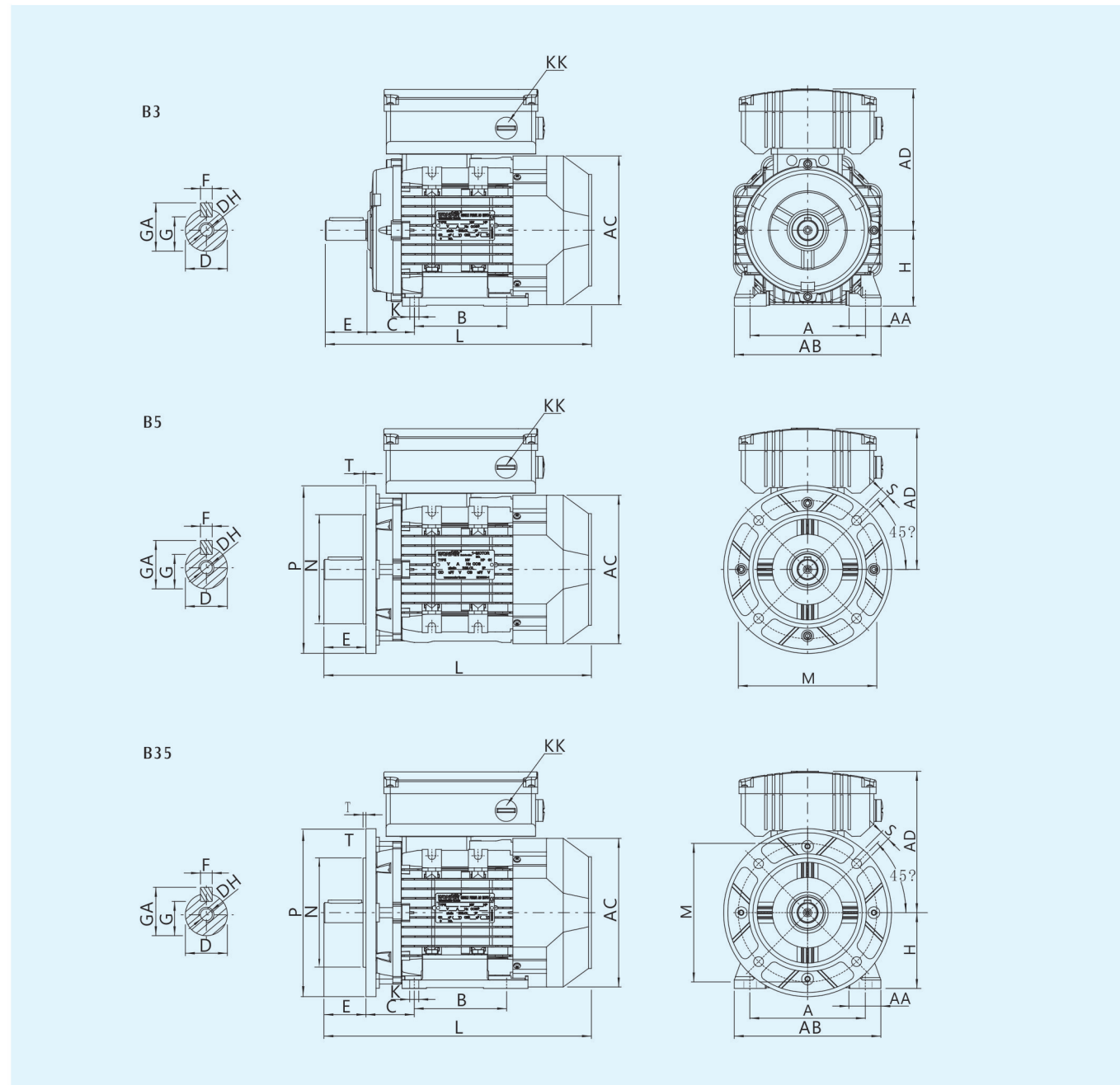
MCd 技术数据 TECHNICAL SPECIFICATIONS

Motor Type	Rated Power kW	HP	Rated speed (r/min)	Torque (N.m)	Full load η %	Power Factor cos φ	Current (A)	Locked Current/ Rated Current (IA/IN)	Locked Torque /Rated Torque (MA/MN)	Maximum Torque /Rated Torque (Mk/MN)
MCd7112	0.18	0.25	2750	0.64	60	0.72	1.8	6.7	3	1.8
MCd7122	0.25	0.33	2770	0.88	64	0.74	2.3	6.6	3	1.8
MCd8012	0.37	0.5	2800	1.28	65	0.77	3.2	6.6	2.8	1.8
MCd8022	0.55	0.75	2790	1.9	68	0.79	4.45	6.6	2.8	1.8
MCd90S2	0.75	1	2820	2.59	70	0.8	5.8	6.4	2.5	1.8
MCd90L2	1.1	1.5	2820	3.8	72	0.8	8.3	7.3	2.5	1.8
MCd100LA2	1.5	2	2830	5.17	74	0.81	10.8	7.4	2.5	1.8
MCd100LB2	2.2	3	2830	7.5	75	0.81	15.7	7.7	2.2	1.8
MCd112M2	3	4	2840	10.2	76	0.82	20.9	7.2	2.2	1.8
MCd7114	0.12	0.16	1350	0.87	50	0.58	1.8	5	3	1.8
MCd7124	0.18	0.25	1370	1.28	53	0.62	2.38	5.1	2.8	1.8
MCd8014	0.25	0.33	1400	1.74	58	0.63	2.97	5.1	2.8	1.8
MCd8024	0.37	0.5	1410	2.55	62	0.64	4.05	5.2	2.5	1.8
MCd90S4	0.55	0.75	1420	3.77	66	0.69	4.98	5.2	2.5	1.8
MCd90L4	0.75	1	1420	5.1	68	0.73	6.56	5.7	2.5	1.8
MCd100LA4	1.1	1.5	1430	7.5	71	0.74	9.1	6.6	2.5	1.8
MCd100LB4	1.5	2	1430	10.2	73	0.75	11.9	6.8	2.5	1.8
MCd112M4	2.2	3	1440	14.9	74	0.76	17	7.1	2.2	1.8

MLd 技术数据 TECHNICAL SPECIFICATIONS

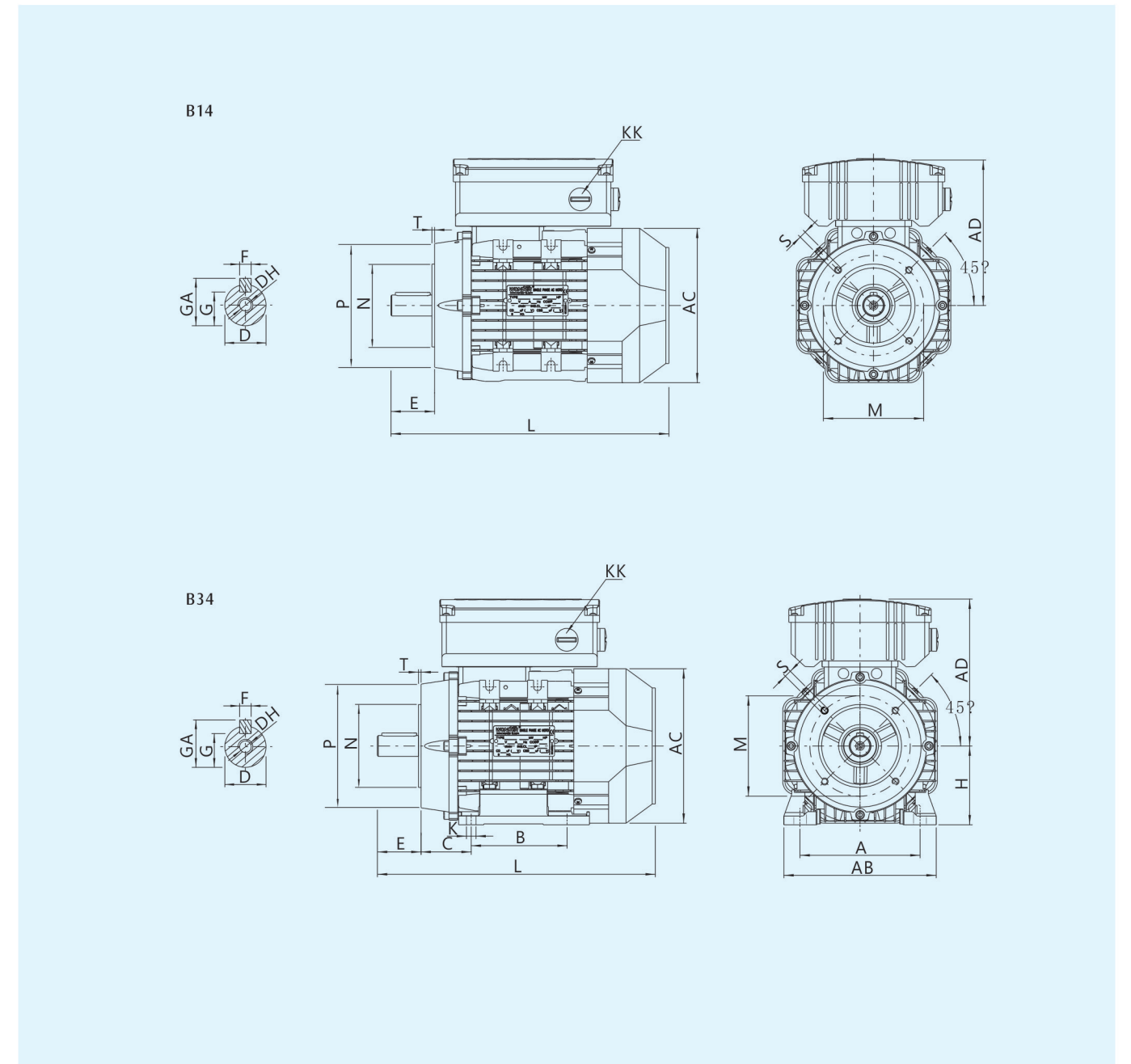
Motor Type	Rated Power kW	HP	Rated speed (r/min)	Torque (N.m)	Full load η %	Power Factor cos φ	Current (A)	Locked Current/ Rated Current (IA/IN)	Locked Torque /Rated Torque (MA/MN)	Maximum Torque /Rated Torque (Mk/MN)
MLd7112	0.37	0.5	2750	1.31	67	0.92	2.6	3.7	1.8	1.6
MLd7122	0.55	0.75	2760	1.94	70	0.92	3.7	3.9	1.8	1.6
MLd8012	0.75	1	2780	2.63	72	0.92	4.9	5.5	1.8	1.6
MLd8022	1.1	1.5	2790	3.84	74	0.95	6.7	5.5	1.8	1.6
MLd90S2	1.5	2	2800	5.22	75	0.95	9.1	5.5	1.8	1.6
MLd90L2	2.2	3	2800	7.66	76	0.95	13.2	5.5	1.7	1.6
MLd100L2	3	4	2820	10.3	78	0.95	17.6	6	1.7	1.6
MLd112M2	3.7	5	2820	12.7	79	0.95	21.4	6	1.7	1.6
MLd7114	0.25	0.33	1370	1.78	62	0.92	1.9	3.9	1.7	1.6
MLd7124	0.37	0.5	1370	2.63	65	0.92	2.7	4	1.7	1.6
MLd8014	0.55	0.75	1380	3.88	68	0.95	3.7	5.5	1.7	1.6
MLd8024	0.75	1	1380	5.3	70	0.95	4.6	5.5	1.7	1.6
MLd90S4	1.1	1.5	1390	7.71	71	0.95	7	5	1.7	1.6
MLd90L4	1.5	2	1400	10.4	73	0.95	9.4	5	1.7	1.6
MLd100LA4	2.2	3	1410	15.2	75	0.95	13.4	5	1.7	1.6
MLd100LB4	3	4	1420	20.5	77	0.95	17.8	5	1.7	1.6
MLd112M4	3.7	5	1430	25.2	78	0.95	21.7	5.5	1.7	1.6

外形安装尺寸图 MOUNTING AND OVERALL DIMENSIONS



Frame size	A	AA	AB	AC	AD	B	C	D	DH	E	F	G	H	K	KK	L	M	N	P	S	T	GA
71	112	26	136	141	109	90	45	14	M5	30	5	11	71	7	M18	218	130	110	160	10	3.5	16
80	125	30	153	157	158	100	50	19	M6	40	6	15.5	80	10	M20	288	165	130	200	12	3.5	21.5
90S	140	37	174	176	167	100	56	24	M8	50	8	20	90	10	M20	319	165	130	200	12	3.5	27
90L	140	37	174	176	167	125	56	24	M8	50	8	20	90	10	M20	337	165	130	200	12	3.5	27
100	160	38	193	191	177	140	63	28	M10	60	8	24	100	12	M20	378	215	180	250	14.5	4	31
112	190	41	220	215	190	140	70	28	M10	60	8	24	112	12	M20	398	215	180	250	14.5	4	31

外形安装尺寸图 MOUNTING AND OVERALL DIMENSIONS



Frame size	A	AA	AB	AC	AD	B	C	D	DH	E	F	G	H	K	KK	L	M	N	P	S	T	GA
71	112	26	136	141	109	90	45	14	M5	30	5	11	71	7	M18	218	85	70	105	M6	2.5	16
80	125	30	153	157	158	100	50	19	M6	40	6	15.5	80	10	M20	288	100	80	120	M6	3	21.5
90S	140	37	174	176	167	100	56	24	M8	50	8	20	90	10	M20	319	115	95	140	M8	3	27
90L	140	37	174	176	167	125	56	24	M8	50	8	20	90	10	M20	337	115	95	140	M8	3	27
100	160	38	193	191	177	140	63	28	M10	60	8	24	100	12	M20	378	130	110	160	M8	3.5	31
112	190	41	220	215	190	140	70	28	M10	60	8	24	112	12	M20	398	130	110	160	M8	3.5	31

